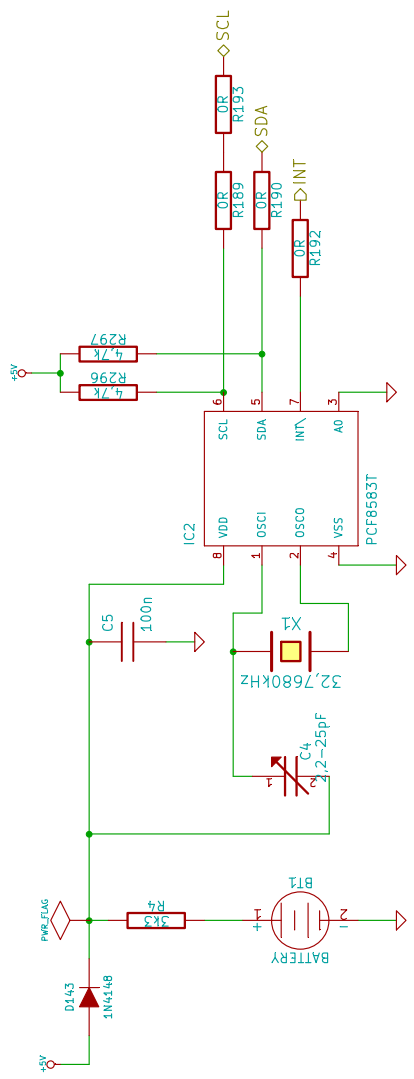


Björn Hempel
 File: bigdcf.sch
 Sheet: /
Title: Big DCF Clock
 Size: A4 Date: 1 may 2009
 KiCad E.D.A. eeschema (2010-05-05 BZR 2356) - stable
 Id: 1/8



File: RTC.sch
 Sheet: /RTC/

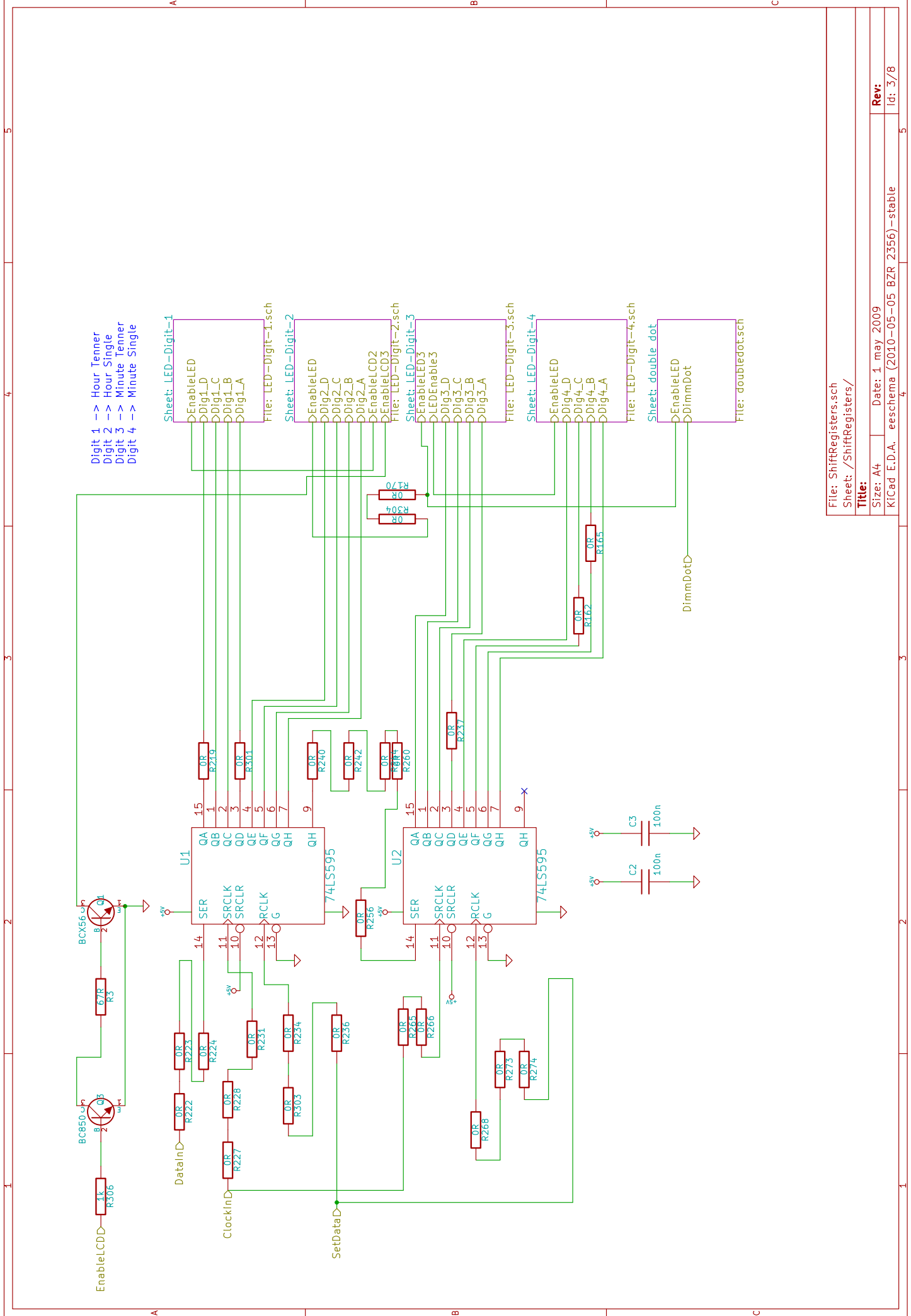
Title:

Size: A4 Date: 1 may 2009

KiCad E.D.A. eeschema (2010-05-05 BZR 2356) - stable

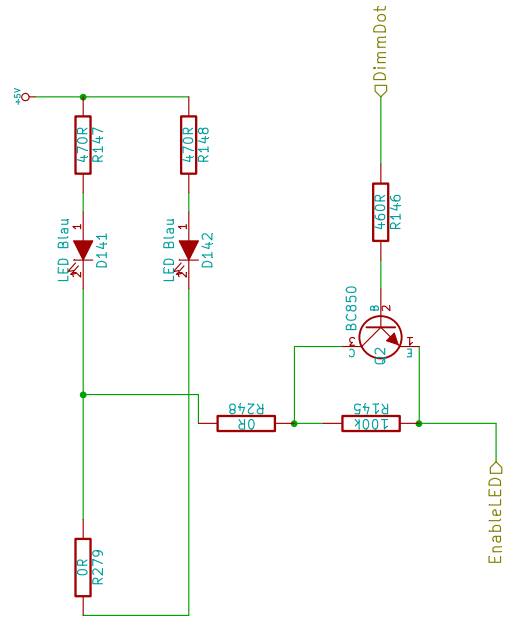
Rev:

Id: 2/8

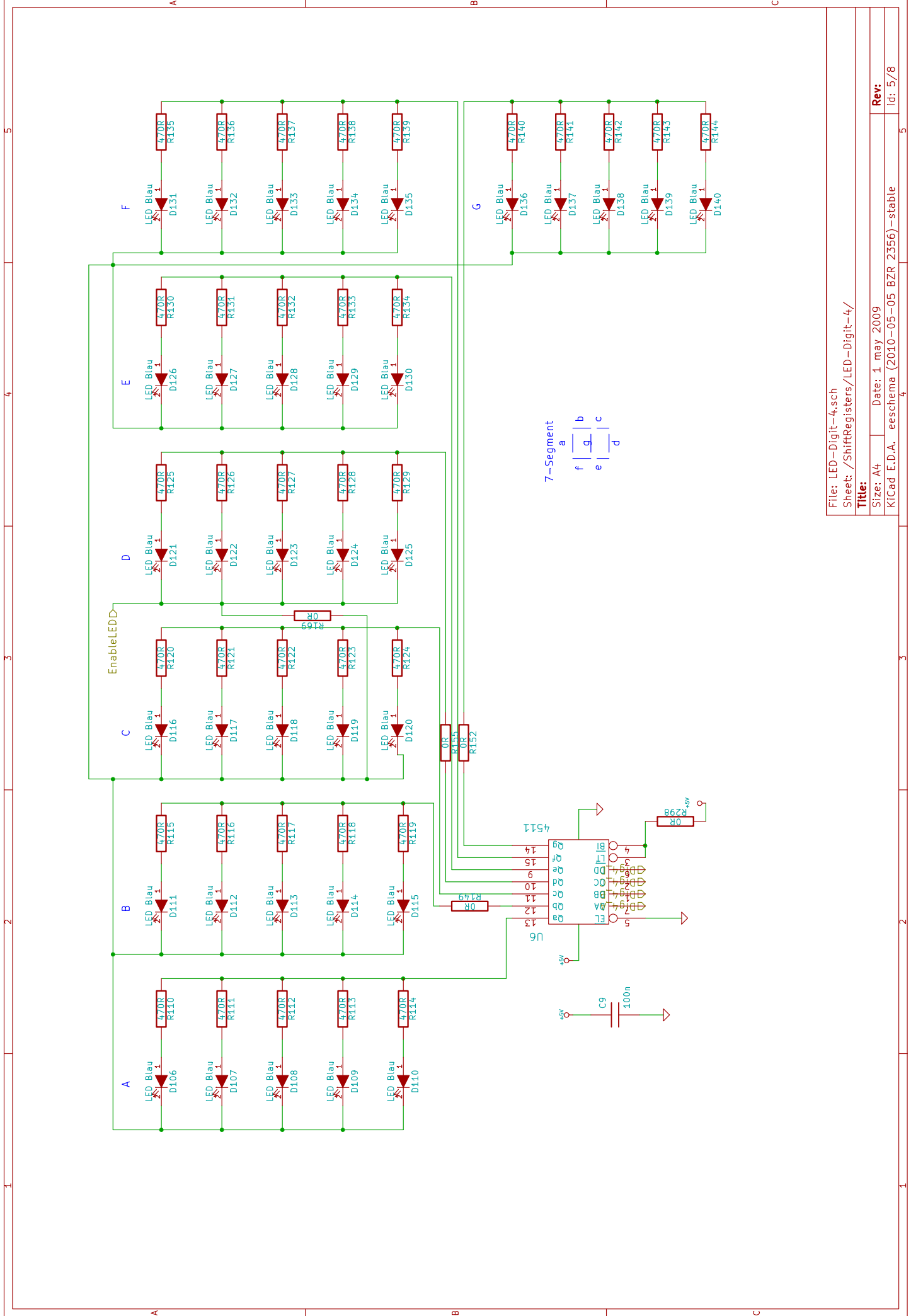


Digit 1 -> Hour Tenner
 Digit 2 -> Hour Single
 Digit 3 -> Minute Tenner
 Digit 4 -> Minute Single

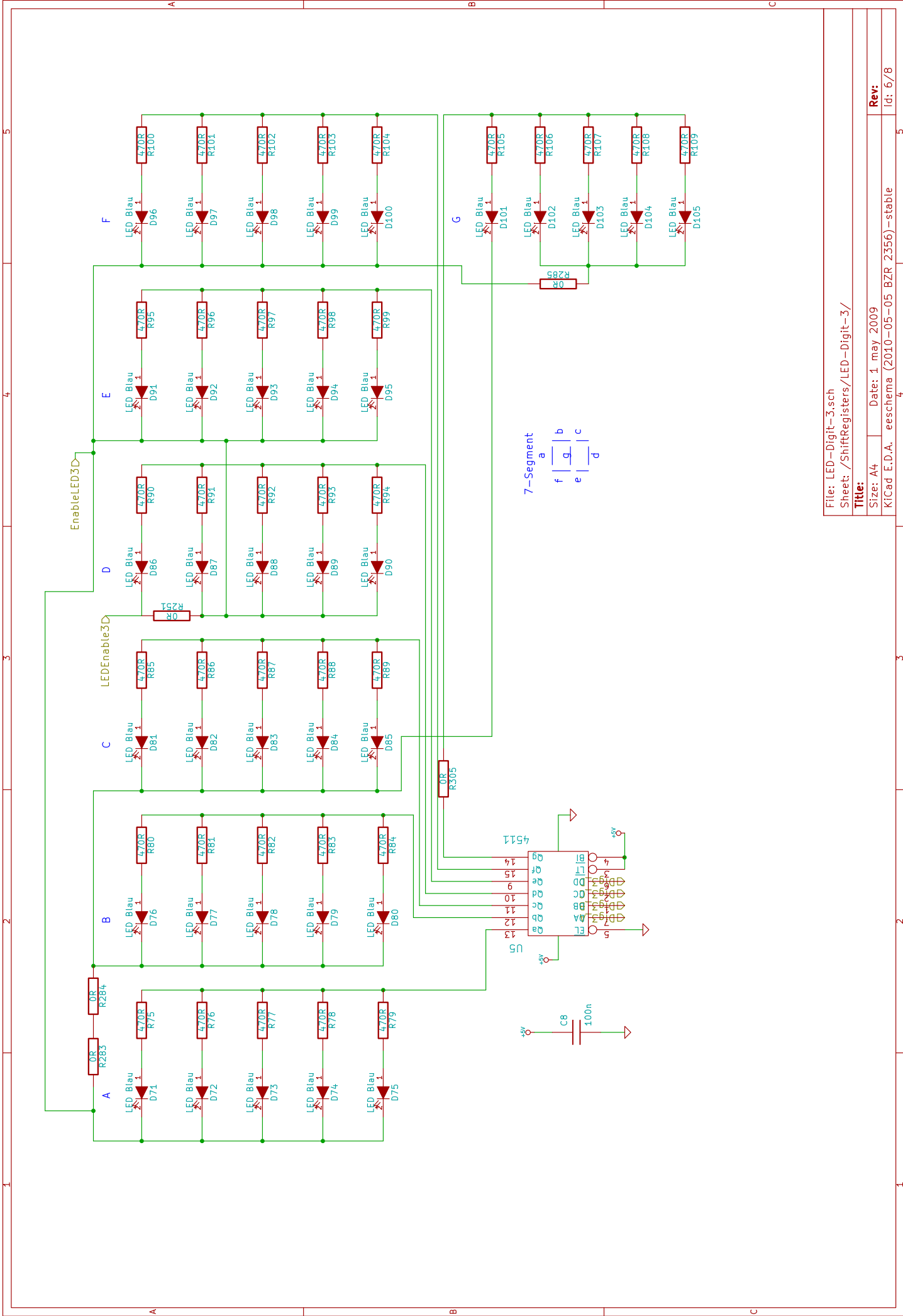
- Sheet: LED-Digit-1
 - >EnableLED
 - >Dig1_D
 - >Dig1_C
 - >Dig1_B
 - >Dig1_A
 File: LED-Digit-1.sch
- Sheet: LED-Digit-2
 - >EnableLED
 - >Dig2_D
 - >Dig2_C
 - >Dig2_B
 - >Dig2_A
 File: LED-Digit-2.sch
- Sheet: LED-Digit-3
 - >EnableLED3
 - >LEDEnable3
 - >Dig3_D
 - >Dig3_C
 - >Dig3_B
 - >Dig3_A
 File: LED-Digit-3.sch
- Sheet: LED-Digit-4
 - >EnableLED
 - >Dig4_D
 - >Dig4_C
 - >Dig4_B
 - >Dig4_A
 File: LED-Digit-4.sch
- Sheet: double dot
 - >EnableLED
 - >DimmDot
 File: doubledot.sch



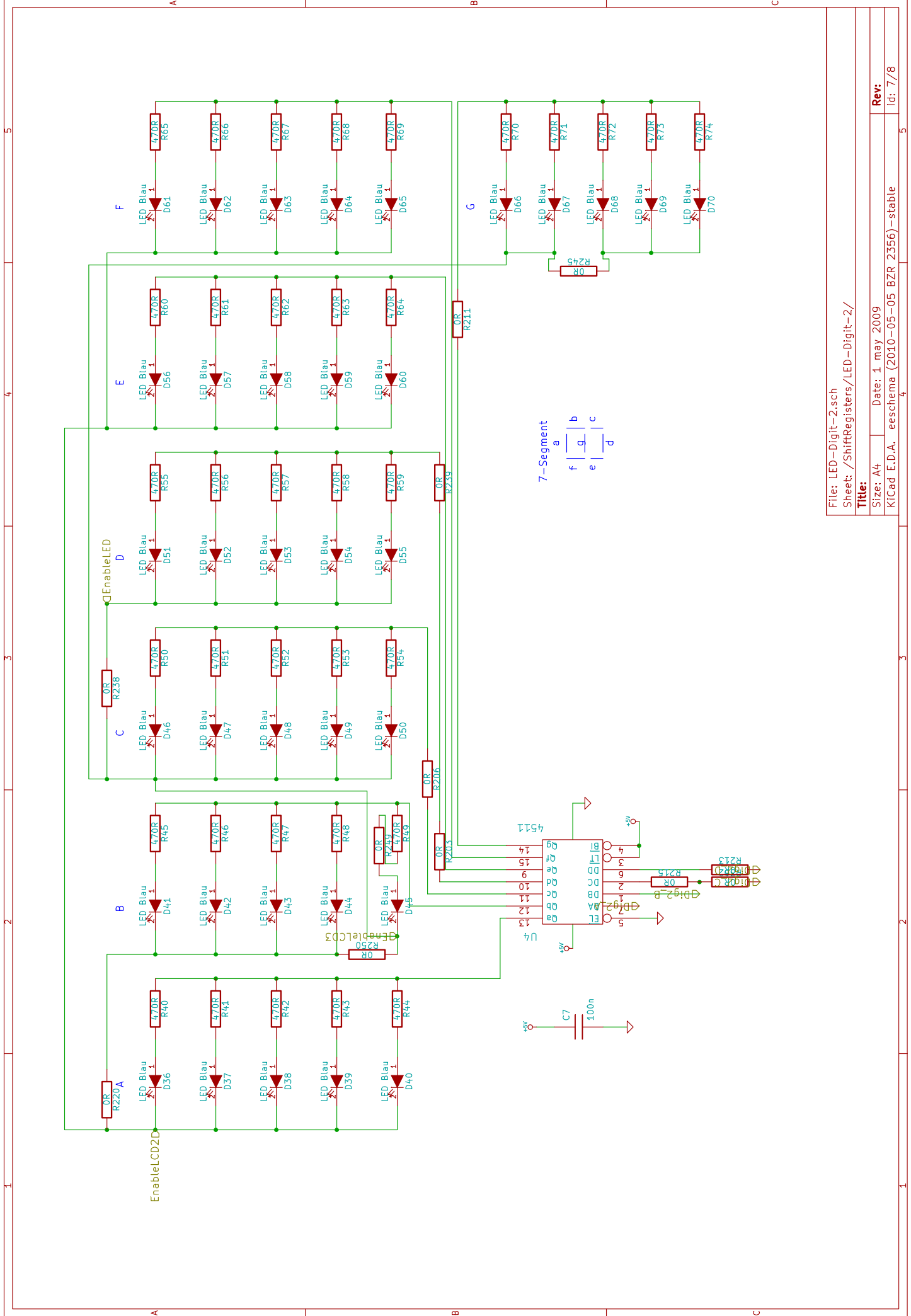
File: double_dot.sch	
Sheet: /ShiftRegisters/double_dot/	
Title:	
Size: A4	Date: 1 may 2009
KiCad E.D.A.	eescema (2010-05-05 BZR 2356) - stable
Rev:	Id: 4/8



File: LED-Digit-4.sch
 Sheet: /ShiftRegisters/LED-Digit-4/
Title:
 Size: A4 Date: 1 may 2009
 KiCad E.D.A. eeschema (2010-05-05 BZR 2356) - stable
Rev:
 Id: 5/8

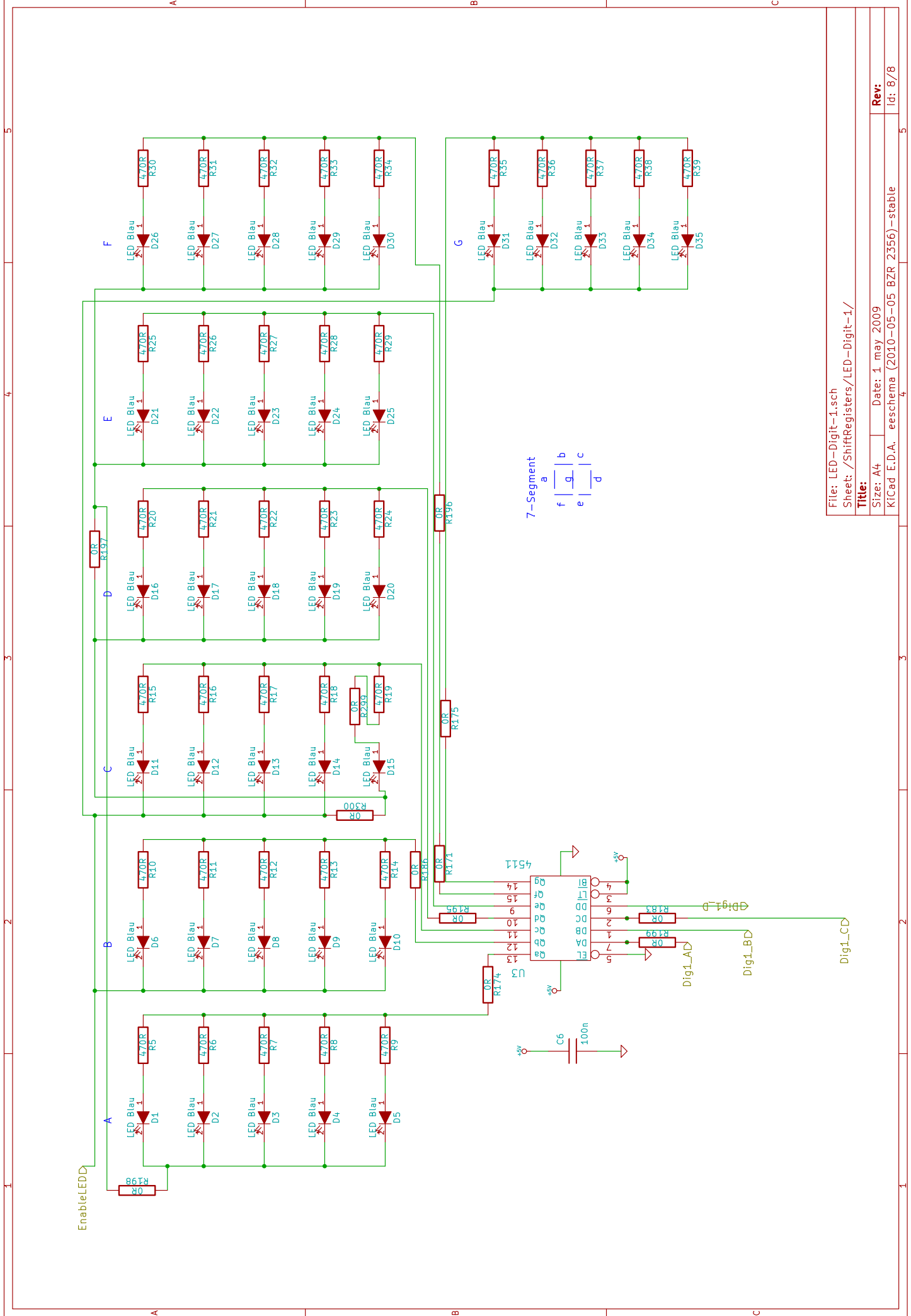


File: LED-Digit-3.sch
 Sheet: /ShiftRegisters/LED-Digit-3/
Title:
 Size: A4 Date: 1 may 2009
 KiCad E.D.A. eeschema (2010-05-05 BZR 2356) - stable
Rev:
 Id: 6/8



File: LED-Digit-2.sch
 Sheet: /ShiftRegisters/LED-Digit-2/
Title:
 Size: A4 Date: 1 may 2009
 KICad E.D.A. eeschema (2010-05-05 BZR 2356) --stable
 Id: 7/8

Rev:
Id: 7/8



File: LED-Digit-1.sch
 Sheet: /ShiftRegisters/LED-Digit-1/
Title:
 Size: A4 Date: 1 may 2009
 KiCad E.D.A. eeschema (2010-05-05 BZR 2356) --stable
 Id: 8/8
 Rev: